

Description : Capital 100

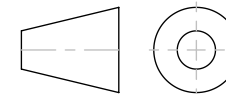
Code : AL5005

Revision : 02

Scale : 1:5

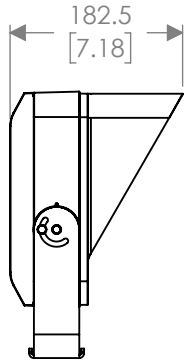
SHEET 1 OF 3

DIMENSIONS ARE IN MILLIMETERS [BRACKETED DIMENSIONS ARE IN INCHES]

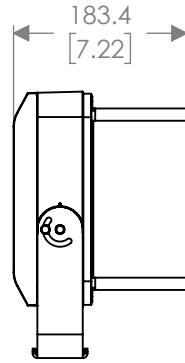


GRIVEN 

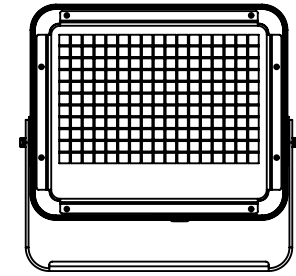
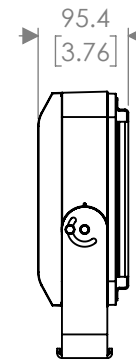
<http://www.griven.com>



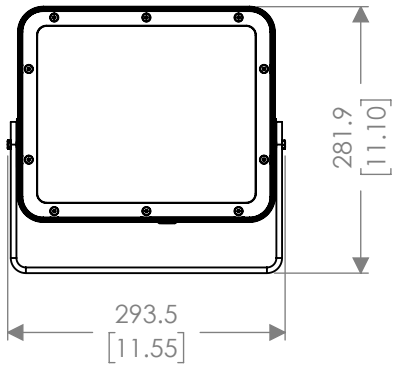
With Visor AL8232



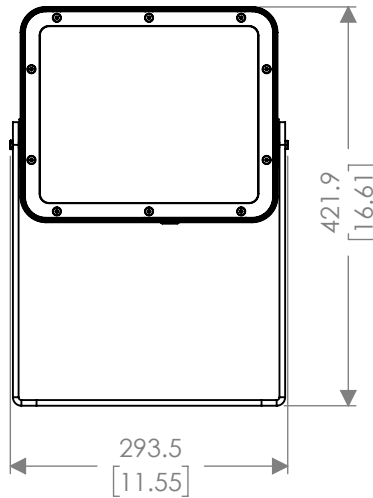
With Snoot AL8233



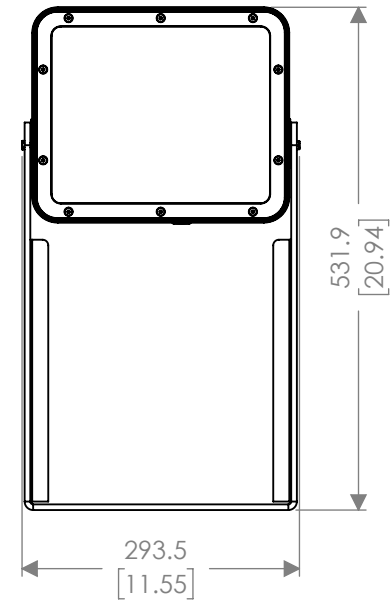
With Wire Guard AL8234



With 3G Bracket AL8258



With 300mm Bracket AL8227



With 410mm Bracket AL8228

Description : Capital 100

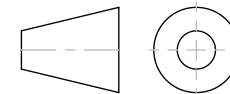
Code : AL5005

Scale : 1:8

SHEET 2 OF 3

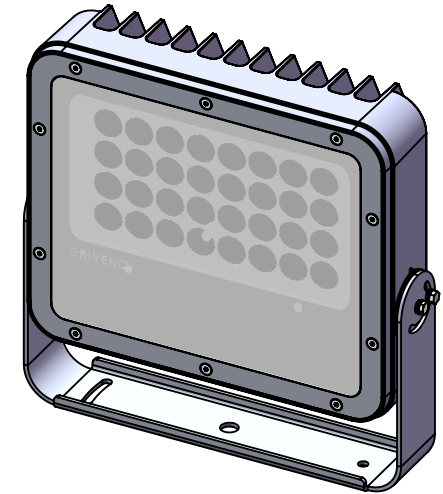
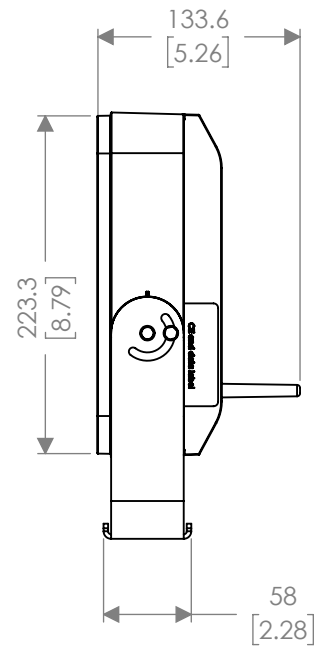
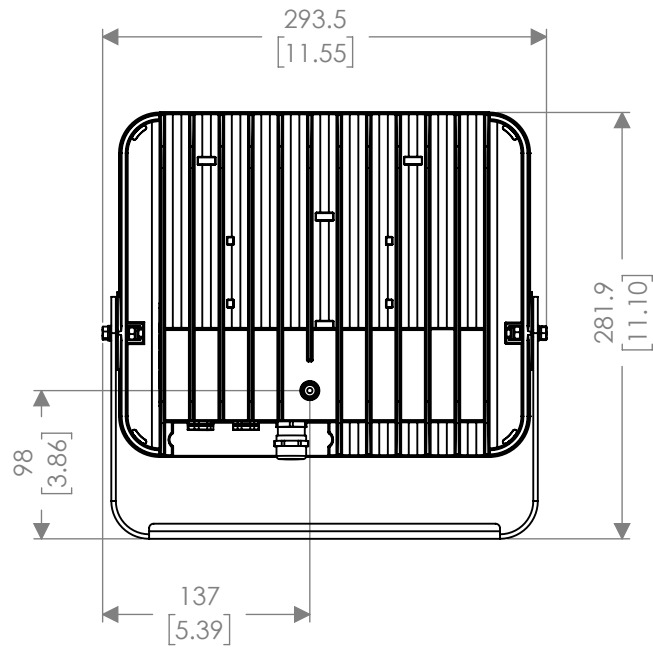
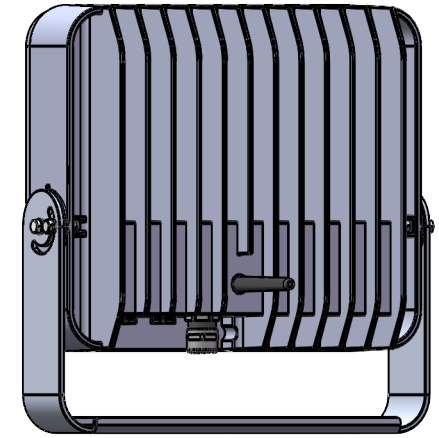
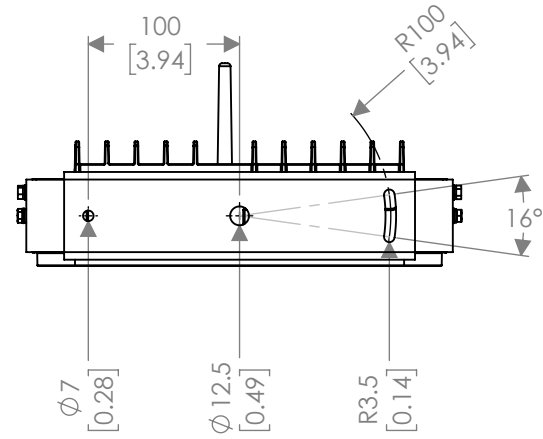
Revision : 02

DIMENSIONS ARE IN MILLIMETERS [BRACKETED DIMENSIONS ARE IN INCHES]



GRIVEN 

<http://www.griven.com>



Description : Capital 100 - Wireless DMX Integrated

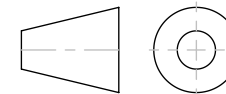
Code : AL5005

Scale : 1:5

SHEET 3 OF 3

Revision : 02

DIMENSIONS ARE IN MILLIMETERS [BRACKETED DIMENSIONS ARE IN INCHES]



GRIVEN 

<http://www.griven.com>